

PRODUCT BRIEF

KEY FEATURES

- ▶ Parallel 12x14Gb/s bi-directional link
- ▶ Lightweight
- ▶ Low power dissipation: <3.5 W per end, maximum
- ▶ Small cable bend radius
- ▶ Thin cable for large port count architectures and easy installations
- ▶ Supports data center link lengths of up to 300 meters
- ▶ Standard CXP form factor
- ▶ Metal enclosure for low EMI
- ▶ Single 3.3V power supply
- ▶ Operating case temperature range: 0°C to 70°C
- ▶ RoHS compliant and Lead-Free

APPLICATIONS

- ▶ 100G Ethernet (100GbE)
- ▶ InfiniBand 12xQDR
- ▶ InfiniBand 12xFDR
- ▶ Fibre Channel
- ▶ SAS/SATA
- ▶ PCIe
- ▶ Proprietary high-speed interconnections

12X PARALLEL ACTIVE OPTICAL CABLES

OVERVIEW

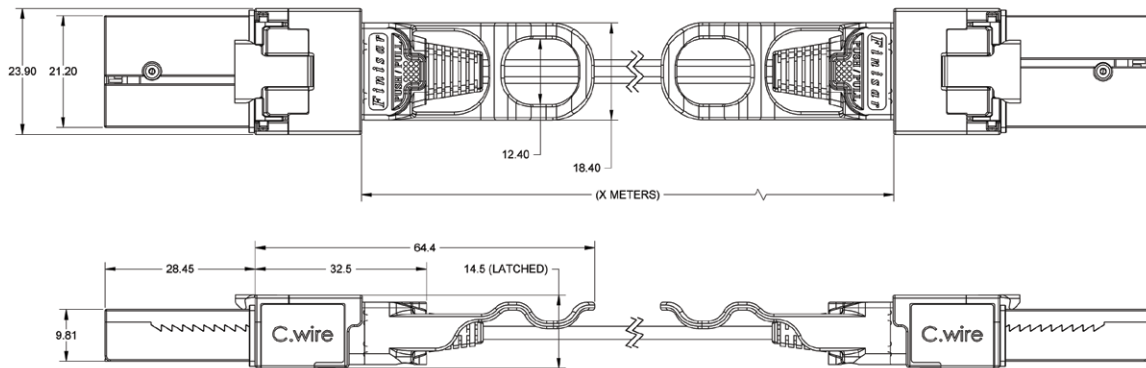
C.wire® is a family of 12-channel parallel active optical cables for storage, networking, and high-performance computing connectivity. It supports up to 12x14Gb/s bi-directionally over parallel multimode fiber (MMF) ribbon cable. Based on Finisar's vertically integrated VCSEL array technology and designed with CXP-compliant high-density connectors, these new cables are compact, lightweight, and low power. C.wire is ideally suited for datacenter reaches up to 300 meters for InfiniBand 12xQDR, 12xFDR, 100G Ethernet, and other datacom, telecom and high-performance computing applications.

KEY ADVANTAGES

- ▶ Lowest weight for high port count architectures
- ▶ High-density interconnectivity
- ▶ Small bend radius for easy installation and fiber management
- ▶ Low power consumption
- ▶ Based on industry-standard CXP form factor
- ▶ Utilizes Finisar's vertically integrated and highly reliable VCSEL technology



C.wire® 12x Parallel Active Optical Cables



GENERAL PRODUCT CHARACTERISTICS

Parameter	Value	Unit	Notes
Module Form Factor	CXP		
Number of Lanes	12 Tx and 12 Rx		
Maximum Aggregate Data Rate	126; 150; 168	Gb/s	
Maximum Data Rate per Lane	10.5; 12.5; 14.0	Gb/s	
Standard Cable Lengths	3, 5, 10, 20, 30, 50, 100	meters	Additional/longer lengths may be available upon request
Protocols Supported	InfiniBand, Fibre Channel, 100G Ethernet, SAS/SATA, PCIe		
Electrical Interface and Pin-out	84-pin edge connector		Pin-out as defined by the CXP Specification
Standard Optical Cable Type	Multimode ribbon fiber cable assembly		Various cable types available upon request
Maximum Power Consumption per End	3.5	Watts	Varies with output voltage swing and pre-emphasis settings
Management Interface	Serial, I2C-based		As defined by the CXP Specification

PRODUCT SELECTION

Part Number: FCBGD10CD1Cxx	12x10Gb/s active optical cable, flat ribbon, riser-rated
Part Number: FCBND12CD1Cxx	12x12.5Gb/s active optical cable, round, plenum-rated
Part Number: FCBND14CD1Cxx	12x14Gb/s active optical cable, round, plenum-rated

xx	03	3 meter cable
	05	5 meter cable
	10	10 meter cable
	20	20 meter cable
	30	30 meter cable
	50	50 meter cable
	X0	100 meter cable



Finisar® 1389 Moffett Park Drive
Sunnyvale, CA 94089
Telephone: +1-408-548-1000
Sales: +1-408-541-5690
Email: cables@finisar.com
www.finisar.com/cables



Scan this code to
access the website