

## Product Specification

### 40GBASE-LR4 QSFP+ Optical Transceiver Module FTL4C1QW2N

#### PRODUCT FEATURES

- Hot-pluggable QSFP+ form factor
- Supports 41.2 Gb/s aggregate bit rates
- Power dissipation < 2.8 W
- RoHS-6 compliant
- Extended case temperature range - 10°C to 78°C
- Single 3.3V power supply
- Maximum link length of 10km on Single Mode Fiber (SMF)
- Uncooled 4x10Gb/s CWDM transmitter
- XLPI electrical interface
- Duplex LC receptacles
- Built-in digital diagnostic functions, including Tx/Rx power monitoring



#### APPLICATIONS

- 40GBASE-LR4 40G Ethernet

Finisar's FTL4C1QW2N QSFP+ transceiver modules are designed for use in 40 Gigabit Ethernet links over single mode fiber. They are compliant with the QSFP+ MSA<sup>1,2</sup> and IEEE 802.3ba 40GBASE-LR4<sup>3</sup>. Digital diagnostics functions are available via an I2C interface, as specified by the QSFP+ MSA. The optical transceiver is compliant per the RoHS Directive 2011/65/EU<sup>4</sup>. See Finisar Application Note AN-2038 for more details<sup>5</sup>.

#### PRODUCT SELECTION

**FTL4C1QW2N**

- W: 40GBASE-LR4 compliant optical interface for wireless applications  
2: Second generation product  
N: Extended temperature rate

## I. Pin Descriptions

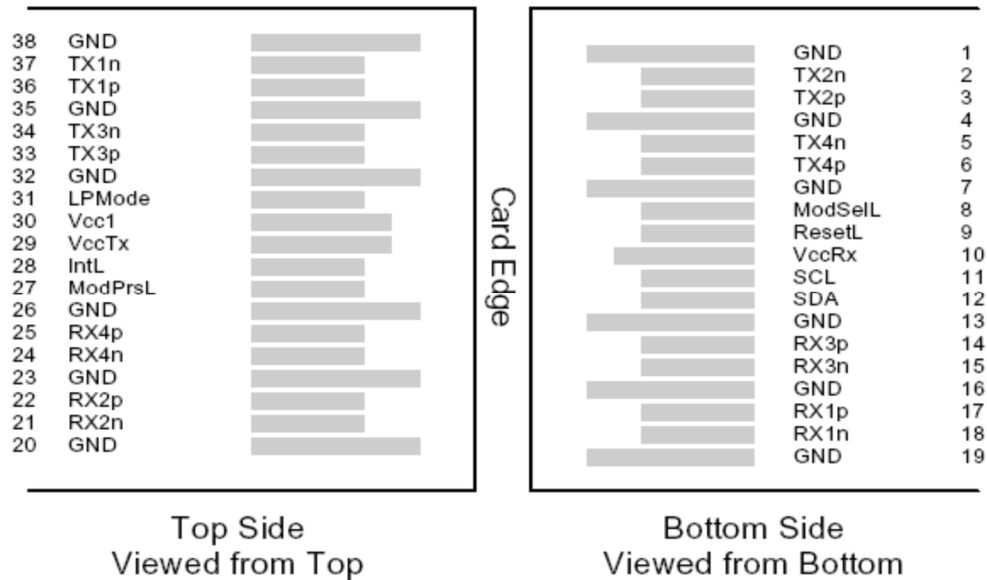


Figure 1 – QSFP+ MSA-compliant 38-pin connector

Pin	Symbol	Name/Description	Notes
1	GND	Ground	1
2	Tx2n	Transmitter Inverted Data Input	
3	Tx2p	Transmitter Non-Inverted Data Input	
4	GND	Ground	1
5	Tx4n	Transmitter Inverted Data Input	
6	Tx4p	Transmitter Non-Inverted Data Input	
7	GND	Ground	1
8	ModSelL	Module Select	
9	ResetL	Module Reset	
10	Vcc Rx	+3.3 V Power supply receiver	
11	SCL	2-wire serial interface clock	
12	SDA	2-wire serial interface data	
13	GND	Ground	1
14	Rx3p	Receiver Non-Inverted Data Output	
15	Rx3n	Receiver Inverted Data Output	
16	GND	Ground	1
17	Rx1p	Receiver Non-Inverted Data Output	
18	Rx1n	Receiver Inverted Data Output	
19	GND	Ground	1
20	GND	Ground	1
21	Rx2n	Receiver Inverted Data Output	
22	Rx2p	Receiver Non-Inverted Data Output	
23	GND	Ground	1
24	Rx4n	Receiver Inverted Data Output	
25	Rx4p	Receiver Non-Inverted Data Output	
26	GND	Ground	1

27	ModPrsL	Module Present	
28	IntL	Interrupt	
29	Vcc Tx	+3.3 V Power supply transmitter	
30	Vcc1	+3.3 V Power Supply	
31	LPMODE	Low Power Mode	
32	GND	Ground	1
33	Tx3p	Transmitter Non-Inverted Data Input	
34	Tx3n	Transmitter Inverted Data Input	
35	GND	Ground	1
36	Tx1p	Transmitter Non-Inverted Data Input	
37	Tx1n	Transmitter Inverted Data Input	
38	GND	Ground	1

Notes

1. Circuit ground is internally isolated from chassis ground.

**II. General Product Characteristics**

Parameter	Value	Unit	Notes
Module Form Factor	QSFP+		
Maximum Aggregate Data Rate	41.2	Gb/s	
Maximum Data Rate per Lane	10.3	Gb/s	Higher bit rates may be supported. Please contact Finisar.
Protocols Supported	Typical applications include 40G Ethernet, Infiniband, Fibre Channel, SATA/SAS3		
Electrical Interface and Pin-out	38-pin edge connector		Pin-out as defined by the QSFP+ MSA
Maximum Power Consumption	2.8	Watts	
Management Interface	Serial, I2C-based, 400 kHz maximum frequency		As defined by the QSFP+ MSA

Data Rate Specifications	Symbol	Min	Typ	Max	Units	Ref.
Bit Rate per Lane	BR			10,313	Mb/sec	1
Bit Error Ratio	BER			10 <sup>-12</sup>		2
Link distance on SMF-28	d			10	kilometers	3

Notes:

1. Compliant with 40GBASE-LR4 and XLPPi per IEEE 802.3ba. Compatible with 1/10 Gigabit Ethernet and 1/2/4/8/10G Fibre Channel.
2. Tested with a PRBS 2<sup>31</sup>-1 test pattern.
3. Per 40GBASE-LR4, IEEE 802.3ba

**III. Absolute Maximum Ratings**

Parameter	Symbol	Min	Typ	Max	Unit	Ref.
Maximum Supply Voltage	Vcc1, VccTx, VccRx	-0.5		3.6	V	
Storage Temperature	T <sub>S</sub>	-40		85	°C	
Case Operating Temperature	T <sub>OP</sub>	-10		78	°C	
Relative Humidity	RH	0		85	%	1
Damage Threshold, per Lane	DT	3.4			dBm	

Notes:

1. Non-condensing.

**IV. Electrical Characteristics (T<sub>OP</sub> = -10 to 78°C, V<sub>CC</sub> = 3.1 to 3.47 Volts)**

Parameter	Symbol	Min	Typ	Max	Unit	Ref.
Supply Voltage	Vcc1, VccTx, VccRx	3.1		3.47	V	
Supply Current	I <sub>cc</sub>			903	mA	
<b>Link turn-on time</b>						
Transmit turn-on time				2000	ms	2
<b>Transmitter (per Lane)</b>						
Single ended input voltage tolerance	V <sub>inT</sub>	-0.3		4.0	V	
Differential data input swing	V <sub>in,pp</sub>	120		1200	mV <sub>pp</sub>	3
Differential input threshold			50		mV	
AC common mode input voltage tolerance (RMS)		15			mV	
Differential input return loss		Per IEEE P802.3ba, Section 86A.4.1.1			dB	4
J2 Jitter Tolerance	J <sub>t2</sub>	0.17			UI	
J9 Jitter Tolerance	J <sub>t9</sub>	0.29			UI	
Data Dependent Pulse Width Shrinkage	DDPWS	0.07			UI	
Eye mask coordinates {X1, X2 Y1, Y2}		0.11, 0.31 95, 350			UI mV	5
<b>Receiver (per Lane)</b>						
Single-ended output voltage		-0.3		4.0	V	
Differential data output swing	V <sub>out,pp</sub>	200		400	mV <sub>pp</sub>	6, 7
		300		600		
		400	550	800		
		600		1200		
AC common mode output voltage (RMS)				7.5	mV	
Termination mismatch at 1 MHz				5	%	
Differential output return loss		Per IEEE P802.3ba, Section 86A.4.2.1			dB	4
Common mode output return loss		Per IEEE P802.3ba, Section 86A.4.2.2			dB	4
Output transition time, 20% to 80%		28			ps	
J2 Jitter output	J <sub>o2</sub>			0.42	UI	
J9 Jitter output	J <sub>o9</sub>			0.65	UI	
Eye mask coordinates #1 {X1, X2 Y1, Y2}		0.29, 0.5 150, 425			UI mV	5

Power Supply Ripple Tolerance	PSR	50			mVpp	
-------------------------------	-----	----	--	--	------	--

## Notes:

1. Maximum total power value is specified across the full temperature and voltage range.
2. From power-on and end of any fault conditions.
3. After internal AC coupling. Self-biasing 100Ω differential input.
4. 10 MHz to 11.1 GHz range.
5. Hit ratio =  $5 \times 10E-5$ .
6. AC coupled with 100Ω differential output impedance.
7. Output voltage is settable in 4 discrete steps via I2C. Default is 400 – 800 mV.

## V. Optical Characteristics (T<sub>OP</sub> = -10 to 78°C, V<sub>CC</sub> = 3.1 to 3.47 Volts)

Parameter	Symbol	Min	Typ	Max	Unit	Ref.
<b>Transmitter</b>						
Signaling Speed per Lane				10.3125	GBd	1
Lane center wavelengths (range)			1264.5 – 1277.5 1284.5 – 1297.5 1304.5 – 1317.5 1324.5 – 1337.5		nm	
Total Average Launch Power	P <sub>OUT</sub>			8.3	dBm	
Transmit OMA per Lane	TxOMA	-4.0		3.5	dBm	
Average Launch Power per Lane	TXP <sub>x</sub>	-7.0		2.3	dBm	2
Optical Extinction Ratio	ER	3.5			dB	
Sidemode Suppression ratio	SSR <sub>min</sub>	30			dB	
Average launch power of OFF transmitter, per lane				-30	dBm	
Relative Intensity Noise	RIN			-128	dB/Hz	3
Optical Return Loss Tolerance				20	dB	
Transmitter Reflectance				-12	dB	
Transmitter eye mask definition {X1, X2, X3, Y1, Y2, Y3}			{0.25, 0.4, 0.45, 0.25, 0.28, 0.4}			
<b>Receiver</b>						
Signaling Speed per Lane				10.3125	GBd	4
Lane center wavelengths (range)			1264.5 – 1277.5 1284.5 – 1297.5 1304.5 – 1317.5 1324.5 – 1337.5		nm	
Receive Power (OMA) per Lane	RxOMA			3.5	dBm	
Average Receive Power per Lane	RXP <sub>x</sub>	-13.7		2.3	dBm	5
Receiver Sensitivity (OMA) per Lane	Rxsens			-11.5	dBm	
Stressed Receiver Sensitivity (OMA) per Lane	SRS			-9.6	dBm	
Damage Threshold per Lane	P <sub>MAX</sub>			3.4	dBm	
Return Loss	RL			-26	dB	
Vertical eye closure penalty, per lane				1.9	dB	
Receive electrical 3 dB upper cutoff frequency, per lane				12.3	GHz	
LOS De-Assert	LOS <sub>D</sub>			-15	dBm	
LOS Assert	LOS <sub>A</sub>	-28			dBm	
LOS Hysteresis		0.5			dB	

Notes:

1. Transmitter consists of 4 lasers operating at 10.3Gb/s each.
2. Minimum value is informative.
3. RIN is scaled by  $10 \cdot \log(10/4)$  to maintain SNR outside of transmitter.
4. Receiver consists of 4 photodetectors operating at 10.3Gb/s each.
5. Minimum value is informative, equals min TxOMA with infinite ER and max channel insertion loss.

**VI. Memory Map and Control Registers**

Compatible with SFF-8436 (QSFP+). Please see Finisar Application Note AN-2104<sup>6</sup>.

**VII. Environmental Specifications**

Finisar FTL4C1QW2N transceivers have an operating temperature range from  $-10^{\circ}\text{C}$  to  $+78^{\circ}\text{C}$  case temperature.

Environmental Specifications	Symbol	Min	Typ	Max	Units	Ref.
Case Operating Temperature	T <sub>op</sub>	-10		78	°C	
Storage Temperature	T <sub>sto</sub>	-40		85	°C	

**VIII. Regulatory Compliance**

Finisar FTL4C1QW2N transceivers are RoHS-6 Compliant. Copies of certificates are available at Finisar Corporation upon request.

FTL4C1QW2N transceiver modules are Class 1 laser eye safety compliant per IEC 60825-1.

**IX. Mechanical Specifications**

The FTL4C1QW2N mechanical specifications are compliant to the QSFP+ MSA transceiver module specifications.

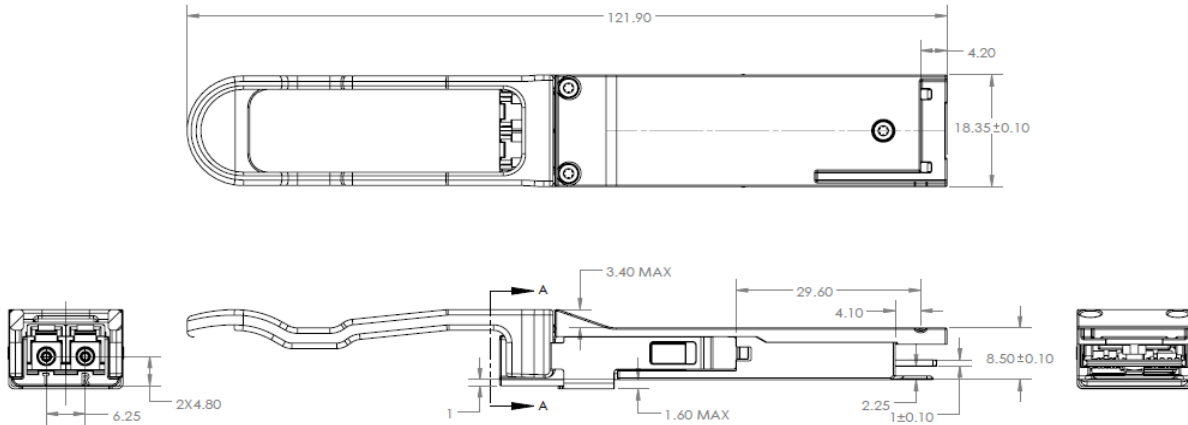


Figure 2 – FTL4C1QW2N mechanical drawing



Figure 3 – FTL4C1QW2N production label

**X. References**

1. INF-8438i – Specification for QSFP (Quad Small Formfactor Pluggable) Transceiver, Rev 1.0, November 2006.
2. SFF-8436 – Specification for QSFP+ Copper and Optical Transceiver, Rev 4.7, February 2013.
3. IEEE 802.3ba – PMD Type 40GBASE-LR4.
4. Directive 2011/65/EU of the European Council Parliament and of the Council, “on the restriction of the use of certain hazardous substances in electrical and electronic equipment”. Certain products may use one or more exemptions as allowed by the Directive.
5. “Application Note AN-2038: Finisar Implementation of RoHS Compliant Transceivers”.
6. “Application Note AN-2104: QSFP+ 40G LR4 Transceiver EEPROM Mapping,” Rev. A, Finisar Corporation, June, 2013.

**XI. For More Information**

Finisar Corporation  
1389 Moffett Park Drive  
Sunnyvale, CA 94089-1133  
Tel. 1-408-548-1000  
Fax 1-408-541-6138  
[sales@finisar.com](mailto:sales@finisar.com)  
[www.finisar.com](http://www.finisar.com)