

## Product Specification

### 40GE SWDM4 QSFP+ Optical Transceiver Module FTL4S1QE2C

#### PRODUCT FEATURES

- Hot-pluggable QSFP+ form factor
- 300m operation over duplex OM3 MMF, and 400m over duplex OM4 MMF
- Supports 41.2 Gb/s aggregate bit rates
- Uncooled 4x10Gb/s SWDM transmitter
- Built-in SWDM mux and demux
- Power dissipation < 3.5W
- Commercial case temperature range 0°C to 70°C
- XLPI electrical interface
- Duplex LC receptacles
- Built-in digital diagnostic functions, including Tx/Rx power monitoring

- RoHS-6 compliant



#### APPLICATIONS

- 40G Ethernet over duplex MMF
- Allows upgrades from 10GBASE-SR without changing fiber plant

Finisar's FTL4S1QE2C QSFP+ transceiver modules are designed for use in 40 Gigabit Ethernet links over duplex multimode fiber. They are compliant with the QSFP+ MSA<sup>1,2</sup> and IEEE 802.3ba XLPI electrical interface<sup>3</sup>. Digital diagnostics functions are available via an I2C interface, as specified by the QSFP+ MSA. The optical transceiver is compliant per the RoHS Directive 2011/65/EU. See Finisar Application Note AN-2038 for more details.

#### PRODUCT SELECTION

**FTL4S1QE2C**

FTL: Finisar transceiver      Q: QSFP+ form factor      C: Commercial temperature range  
4: 4 optical WDM channels    E: Ethernet  
S1: Shortwave WDM            2: Second generation product

## I. Pin Descriptions

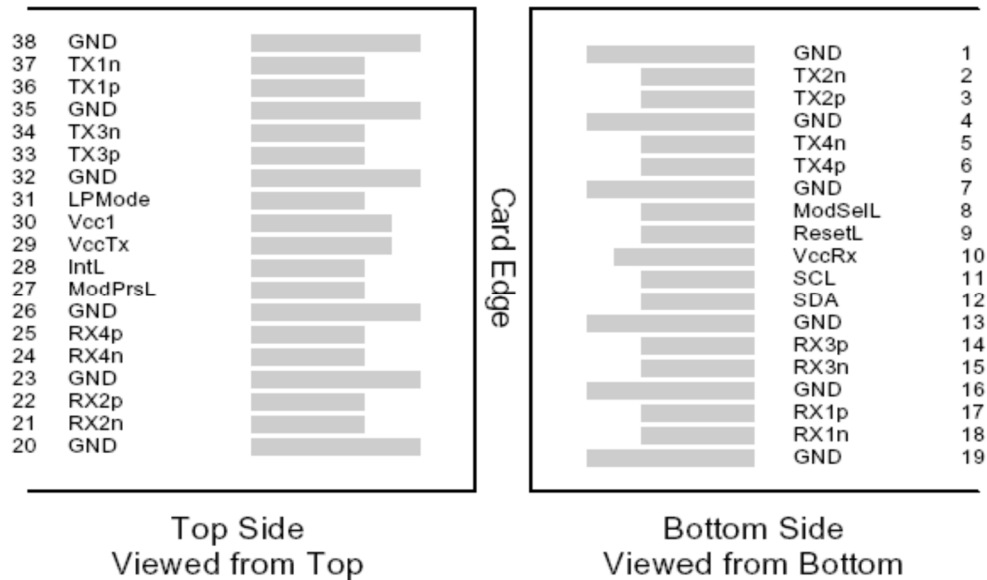


Figure 1 – QSFP+ MSA-compliant 38-pin connector

Pin	Symbol	Name/Description	Notes
1	GND	Ground	1
2	Tx2n	Transmitter Inverted Data Input	
3	Tx2p	Transmitter Non-Inverted Data Input	
4	GND	Ground	1
5	Tx4n	Transmitter Inverted Data Input	
6	Tx4p	Transmitter Non-Inverted Data Input	
7	GND	Ground	1
8	ModSelL	Module Select	
9	ResetL	Module Reset	
10	Vcc Rx	+3.3 V Power supply receiver	
11	SCL	2-wire serial interface clock	
12	SDA	2-wire serial interface data	
13	GND	Ground	1
14	Rx3p	Receiver Non-Inverted Data Output	
15	Rx3n	Receiver Inverted Data Output	
16	GND	Ground	1
17	Rx1p	Receiver Non-Inverted Data Output	
18	Rx1n	Receiver Inverted Data Output	
19	GND	Ground	1
20	GND	Ground	1
21	Rx2n	Receiver Inverted Data Output	
22	Rx2p	Receiver Non-Inverted Data Output	
23	GND	Ground	1
24	Rx4n	Receiver Inverted Data Output	
25	Rx4p	Receiver Non-Inverted Data Output	

26	GND	Ground	1
27	ModPrsL	Module Present	
28	IntL	Interrupt	
29	Vcc Tx	+3.3 V Power supply transmitter	
30	Vcc1	+3.3 V Power Supply	
31	LPMODE	Low Power Mode	
32	GND	Ground	1
33	Tx3p	Transmitter Non-Inverted Data Input	
34	Tx3n	Transmitter Inverted Data Input	
35	GND	Ground	1
36	Tx1p	Transmitter Non-Inverted Data Input	
37	Tx1n	Transmitter Inverted Data Input	
38	GND	Ground	1

Notes

1. Circuit ground is internally isolated from chassis ground.

**II. General Product Characteristics**

Parameter	Value	Unit	Notes
Module Form Factor	QSFP+		
Maximum Aggregate Data Rate	41.2	Gb/s	
Maximum Data Rate per Lane	10.3	Gb/s	
Protocols Supported	40G Ethernet		
Electrical Interface and Pin-out	38-pin edge connector		Pin-out as defined by the QSFP+ MSA
Maximum Power Consumption	3.5	Watts	1
Management Interface	Serial, I2C-based, 400 kHz maximum frequency		As defined by the QSFP+ MSA

Notes:

1. Will be <3.5W in link established mode. If the input optical signal is without data, the CDR will keep searching and push the power consumption over the maximum spec.

Data Rate Specifications	Symbol	Min	Typ	Max	Units	Ref.
Bit Rate per Lane	BR			10.3125	Mb/sec	1
Bit Error Ratio	BER			10 <sup>-12</sup>		2
Link distance on OM3	d	0		300	meters	
Link distance on OM4	d	0		400	meters	

Notes:

1. Compliant with XLPPPI per IEEE 802.3ba.
2. Tested with a PRBS 2<sup>31</sup>-1 test pattern.

### III. Absolute Maximum Ratings

Parameter	Symbol	Min	Typ	Max	Unit	Ref.
Maximum Supply Voltage	V <sub>cc1</sub> , V <sub>ccTx</sub> , V <sub>ccRx</sub>	-0.5		3.6	V	
Storage Temperature	T <sub>S</sub>	-40		85	°C	
Case Operating Temperature	T <sub>OP</sub>	0		70	°C	
Relative Humidity	RH	0		85	%	1
Damage Threshold, per Lane	DT	4			dBm	

#### Notes:

1. Non-condensing.

### IV. Electrical Characteristics (T<sub>OP</sub> = 0 to 70°C, V<sub>CC</sub> = 3.1 to 3.47 Volts)

Parameter	Symbol	Min	Typ	Max	Unit	Ref.
Supply Voltage	V <sub>cc1</sub> , V <sub>ccTx</sub> , V <sub>ccRx</sub>	3.1		3.47	V	
Supply Current	I <sub>cc</sub>			0.9	A	1
<b>Link turn-on time</b>						
Transmit turn-on time				2000	ms	2
<b>Transmitter (per Lane)</b>						
Single-ended input voltage tolerance	V <sub>inT</sub>	-0.3		4.0	V	
Differential data input swing	V <sub>in,pp</sub>	120		1200	mV <sub>pp</sub>	3
Differential input threshold			50		mV	
AC common mode input voltage tolerance (RMS)		15			mV	
Differential input return loss		Per IEEE P802.3ba, Section 86A.4.1.1			dB	4
J2 Jitter Tolerance	J <sub>t2</sub>	0.17			UI	
J9 Jitter Tolerance	J <sub>t9</sub>	0.29			UI	
Data Dependent Pulse Width Shrinkage	DDPWS	0.07			UI	
Eye mask coordinates {X1, X2 Y1, Y2}		0.11, 0.31 95, 350			UI mV	5
<b>Receiver (per Lane)</b>						
Single-ended output voltage		-0.3		4.0	V	
Differential data output swing	V <sub>out,pp</sub>	200		400	mV <sub>pp</sub>	6, 7
		300		600		
		400		800		
		600		1200		
AC common mode output voltage (RMS)				7.5	mV	
Termination mismatch at 1 MHz				5	%	
Differential output return loss		Per IEEE P802.3ba, Section 86A.4.2.1			dB	4
Common mode output return loss		Per IEEE P802.3ba, Section 86A.4.2.2			dB	4
Output transition time, 20% to 80%		28			ps	
J2 Jitter output	J <sub>o2</sub>			0.42	UI	
J9 Jitter output	J <sub>o9</sub>			0.65	UI	

Eye mask coordinates #1 {X1, X2 Y1, Y2}		0.29, 0.5 150, 425	UI mV	5
Power Supply Ripple Tolerance	PSR	50	mVpp	

**Notes:**

1. Will be <3.5W in link established mode. If the input optical signal is without data, the CDR will keep searching and push the supply current over the maximum spec.
2. From power-on and end of any fault conditions.
3. After internal AC coupling. Self-biasing 100Ω differential input.
4. 10 MHz to 11.1 GHz range.
5. Hit ratio = 5 x 10E-5.
6. AC coupled with 100Ω differential output impedance.
7. Output voltage is settable in 4 discrete steps via I2C.

**V. Optical Characteristics (T<sub>OP</sub> = 0 to 70°C, V<sub>CC</sub> = 3.1 to 3.47 Volts)**

Per-channel optical characteristics vary over the 4 wavelengths. Below are the worst-case

Parameter	Symbol	Min	Typ	Max	Unit	Ref.
<b>Transmitter</b>						
Signaling Speed per Lane			10.3125		GBd	1
Lane center wavelengths			850 880 910 940		nm	
Spectral width @ 850nm	SBW			0.53		
Spectral width @ 880nm, 910nm, 940nm	SBW			0.59	nm	
Total Average Launch Power	P <sub>OUT</sub>	-1.5		9.0	dBm	3
Average Launch Power per Lane	TXP <sub>x</sub>	-7.5		3.0	dBm	2,3
Transmit OMA per Lane	TxOMA	-5.5		3	dBm	2
Difference in Launch Power between any 2 lanes (OMA)	TxOMA <sub>DIFF</sub>			4.5	dB	
Launch Power Tx OMA - TDP		-6.6			dBm	
Transmitter and Dispersion Eye Closure @ 850nm	TDEC			3.7	dB	
Transmitter and Dispersion Eye Closure @ 880nm	TDEC			4.0	dB	
Transmitter and Dispersion Eye Closure @ 910nm	TDEC			4.5	dB	
Transmitter and Dispersion Eye Closure @ 940nm	TDEC			5.0	dB	
Optical Extinction Ratio	ER	2.0			dB	
Average launch power of OFF transmitter, per lane				-30	dBm	
Relative Intensity Noise	RIN			-128	dB/Hz	4
Optical Return Loss Tolerance		12			dB	
Transmitter eye mask definition {X1, X2, X3, Y1, Y2, Y3}		0.23, 0.34, 0.43, 0.27, 0.35, 0.4				
<b>Receiver</b>						
Signaling Speed per Lane			10.3125		GBd	5
Lane center wavelengths			850 880		nm	

			910 940			
Average Receive Power per Lane	RXP <sub>x</sub>	-9.0		3.0	dBm	2,6
Receive Power (OMA) per Lane	RxOMA			3	dBm	2
Receiver Sensitivity (OMA) per Lane	Rxsens			-9.1	dBm	2,7
Stressed Receiver Sensitivity (OMA) per Lane @ 850nm	SRS			-5.7	dBm	2
Stressed Receiver Sensitivity (OMA) per Lane @ 880nm, 910nm, 940nm	SRS			-4.4	dBm	2
Return Loss	RL			12	dB	
LOS De-Assert	LOS <sub>D</sub>			-13	dBm	
LOS Assert	LOS <sub>A</sub>	-30			dBm	
LOS Hysteresis		0.5			dB	

**Notes:**

1. Transmitter consists of 4 lasers operating at 10.3Gb/s each.
2. This value varies among the 4 channels. The value shown is for the worst-case channel.
3. Minimum value is informative.
4. Maximum value is informative. TDP guarantees Tx performance
5. Receiver consists of 4 photodetectors operating at 10.3 Gb/s each.
6. Minimum value is informative, equals min TxOMA with infinite ER and max channel insertion loss.
7. Maximum value is informative based on a theoretical perfect unstressed optical source

**VI. Memory Map and Control Registers**

Compatible with SFF-8636 (QSFP+)<sup>2</sup>. See Finisar Application Note AN-2104<sup>6</sup> for details of the EEPROM memory map.

**VII. Environmental Specifications**

Finisar FTL4S1QE2C transceivers have an operating temperature range from 0°C to +70°C case temperature.

Environmental Specifications	Symbol	Min	Typ	Max	Units	Ref.
Case Operating Temperature	T <sub>op</sub>	0		70	°C	
Storage Temperature	T <sub>sto</sub>	-40		85	°C	

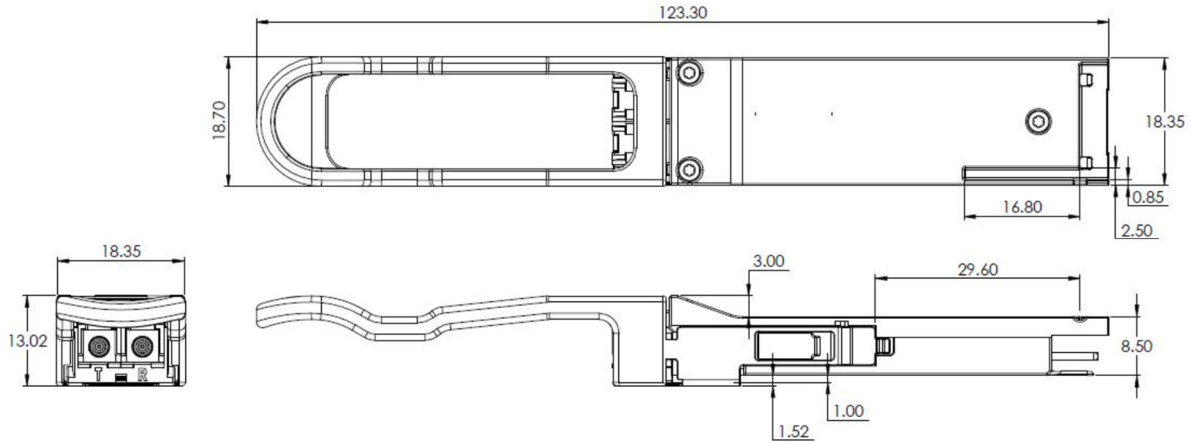
**VIII. Regulatory Compliance**

Finisar FTL4S1QE2C transceivers are RoHS-6 compliant.<sup>4</sup> Copies of certificates are available at Finisar Corporation upon request.

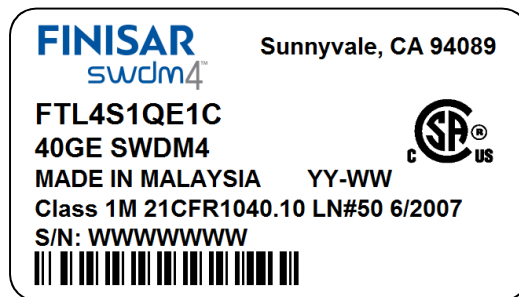
FTL4S1QE2C transceiver modules are Class 1 laser eye safety compliant per IEC 60825-1.

**IX. Mechanical Specifications**

The FTL4S1QE2C mechanical specifications are compliant to the QSFP+ MSA transceiver module specifications.



**Figure 2 – FTL4S1QE2C mechanical drawing**



**Figure 3 – FTL4S1QE2C production label**

**X. References**

1. SFF-8436 – Specification for QSFP+ Copper and Optical Transceiver, Rev 4.8, October 2013.
2. SFF-8636 – Common Management Interface, Rev 2.7, January, 2016.
3. IEEE 802.3ba – Annex 86A “Parallel Physical Interface (nPPI) for 40GBASE-SR4 and 40GBASE-LR4 (XLPPi) and 100GBASE-SR10 (CPPI)”
4. Directive 2011/65/EU of the European Council Parliament and of the Council, “on the restriction of the use of certain hazardous substances in electrical and electronic equipment,” June 8, 2011, which supercedes the previous RoHS Directive 2002/95/EC.
5. “Application Note AN-2038: Finisar Implementation of RoHS Compliant Transceivers”, Finisar Corporation, January 21, 2005.
6. “Application Note AN-2104: QSFP+ 40G LR4 Transceiver EEPROM Mapping,” Rev. A, Finisar Corporation, June, 2013.

**XI. For More Information**

Finisar Corporation  
1389 Moffett Park Drive  
Sunnyvale, CA 94089-1133  
Tel. 1-408-548-1000  
Fax 1-408-541-6138  
sales@finisar.com  
www.finisar.com