

Military-Grade Industrial Network TAP

10/100/1000M Copper | Modular Portable Chassis | Breakout



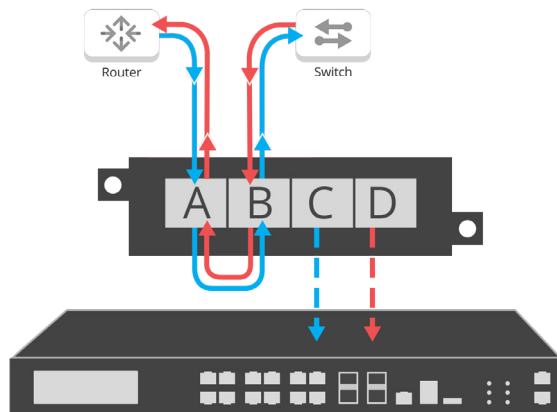
Network test access points (TAPs) are hardware tools that allow you to access and monitor your network. TAPs are purpose-built hardware devices that let you see every bit, byte and packet.®

The Military-Grade Industrial TAP is designed to operate under the most demanding environmental conditions. This Modular Network TAP is ideal for 10/100/1000M copper network monitoring and can be installed in any network segment, allowing you to capture full-duplex traffic without dropping any packets.

Key Features

- Supports link speed synchronization
- Supports tap 'breakout' mode
- Connectivity to copper ports
- Supports jumbo frames
- 1U rack mount holds up to two portable TAPs
- Passes physical errors
- Captures full duplex traffic up to 2Gbps without dropping packets
- 100% secure and transparent, no IP address, No MAC address; cannot be hacked
- Designed, manufactured, tested and certified in the USA

Network Flow



TAP "Breakout" Mode

APPLICATIONS:

- Military Vehicles
- Utility Vehicles
- Aircraft

SOLUTIONS:

Copper Network TAPs are ideal for:



Wireshark



Intrusion Detection Systems



Application Performance Monitoring



Lawful Interception



Packet Capture



Deep Packet Inspection



Forensics

Competitive Edge

- Uses Mighty Mouse GE Connectors for increased performance in strenuous environments.
- Designed specifically for military and industrial applications
- Tested and Certified



Have Questions?

sales@garlandtechnology.com
+716.242.8500
garlandtechnology.com

Military-Grade Industrial Network TAP

10/100/1000M Copper | Modular Portable Chassis | Breakout

Model #	Network Speed	Media		Modes			
		Network	Monitor	Breakout	Aggregation	Regeneration	Link Speed Synchronization
M1GP1G-DC	Two slot Chassis - Holds up to 2 Modular TAPs						
	Single external DC power supply unit						
M100CCBm	10/100M	2 Mighty Mouse 10/100Mbps	2 Mighty Mouse 10/100Mbps	Yes	No	No	Yes
M1GCCBm	10/100/1000M	2 Mighty Mouse 10/100/1000Mbps	2 Mighty Mouse 10/100/1000Mbps	Yes	No	No	No

Additional Specifications

Dimensions (HxWxD): 2" x 9.1" x 9.6"

(50.8mm x 231.14mm x 243.84mm)

Module Weight: 0.7lbs (0.317kg)

Voltage: 12V DC

Current: < 0.6A

Max. Consumption: < 8 Watts

Ambient Temp: 0C to +40C / +32F to +104F

Operating Re. Humidity: 90% non-condensing



This document is for informational purposes only. The information in this document, believed by Garland Technology to be accurate as of the date of publication, is subject to change without notice. Garland Technology assumes no responsibility for any errors or omissions in this document and shall have no obligation to you as a result of having made this document available to you or based upon the information it contains. ©2019 Garland Technology LLC. All Rights Reserved