

DATASHEET

# High Density SPAN Aggregator with (8) Copper Inputs

1U Half-Rack SPAN Aggregator for OT Networks.



The High Density SPAN Aggregator with (8) Copper Inputs aggregates up to eight (8) SPAN connections in an OT network. ICS / OT cybersecurity engineers and specialists can connect the SPAN Aggregator to eight (8) industrial switches and aggregate the copies of traffic to 1 or 2 monitoring ports on the Aggregator. The SPAN Aggregator provides visibility to out-of-band security sensors of inter-switch traffic. With its data diode design, the Aggregator makes it physically impossible to send packets back into the network via the monitoring ports of the Aggregator - preventing hackers from interrupting critical systems. 10/100/1000M networks with RJ-45 Copper connections relying on Switches can leverage the SPAN Aggregator to acquire important data from network without interacting with the OT environment. Connections between network and monitoring ports can be re-configured to aggregate the copies of traffic as needed for one or more security sensors. Perfect for OT networks where space is a premium.

### EASY

- Simple set-up with menu prompts to configure
- Lightweight, 1U Half-Rack form factor - great for L1 and L2 placement

### SECURE

- Hardware Data Diode design
- No IP or MAC address
- Durable metal chassis

### PRACTICAL

- Affordable pricing
- 2 Modes: Aggregation, Regeneration
- Wired DC Power is available

### CERTIFICATIONS

- RoHS3
- REACH
- POP
- UL, CE, CSA, UKCA
- TAA compliant
- Country of Origin: USA

## Ordering Information

Product Name	Part #	Product Description
High Density SPAN Aggregator TAP with (8) Copper Inputs - AC Power	INT1G10CSASP	Aggregator TAP - Copper High Density: 8 10/100/1000M Copper Inputs with 2 1G SFP Cage Monitoring Ports, Serial Port Mgmt, Internal Dual AC PS
High Density SPAN Aggregator TAP with (8) Copper Inputs - DC Power	INT1G10CSASPDC	Aggregator TAP - Copper High Density: 8 10/100/1000M Copper Inputs with 2 1G SFP Cage Monitoring Ports, Serial Port Mgmt, Internal Dual DC -48vdc PS



### Have Questions?

sales@garlandtechnology.com | +1 716.242.8500 | GarlandTechnology.com

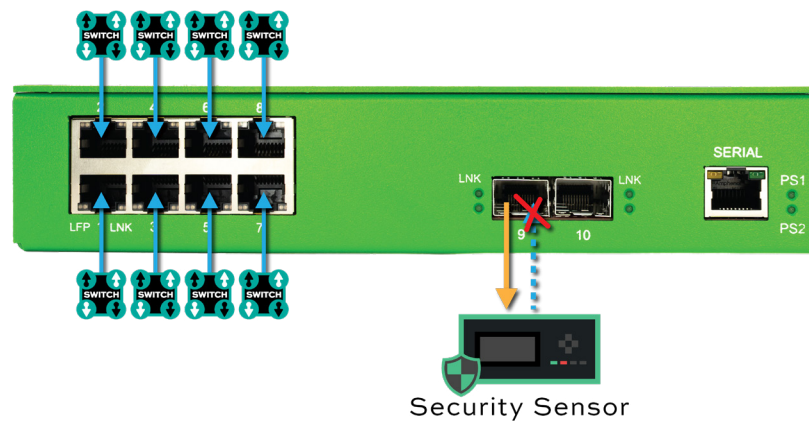
# Deployment Benefits

## SPAN Inputs

- Best practice is to place a SPAN Aggregator between a Switch and an out-of-band security sensor.
- INT1G10CSASP has eight (8) RJ-45 Copper inputs.
- Network Ports 1 through 8 do not transmit packets to the network elements linked to them.
- Network Ports 1 through 8 are sending packets to both Monitoring Ports 9 and 10.
- Network Ports 1 through 8 are not paired.
- Ports can be reconfigured to fit network requirements. For example: Ports 1, 3, 5, 7 can be sent to Port 9 and Ports 2, 4, 6, 8 can be sent to Port 10.
- Ports 9 and 10 are built for SFP transceivers giving flexibility connecting to out-of-band tools.
- Hardware data diode enforces one-way data flow.
- INT1G10CSASP does not provide failsafe because the network ports are not paired.

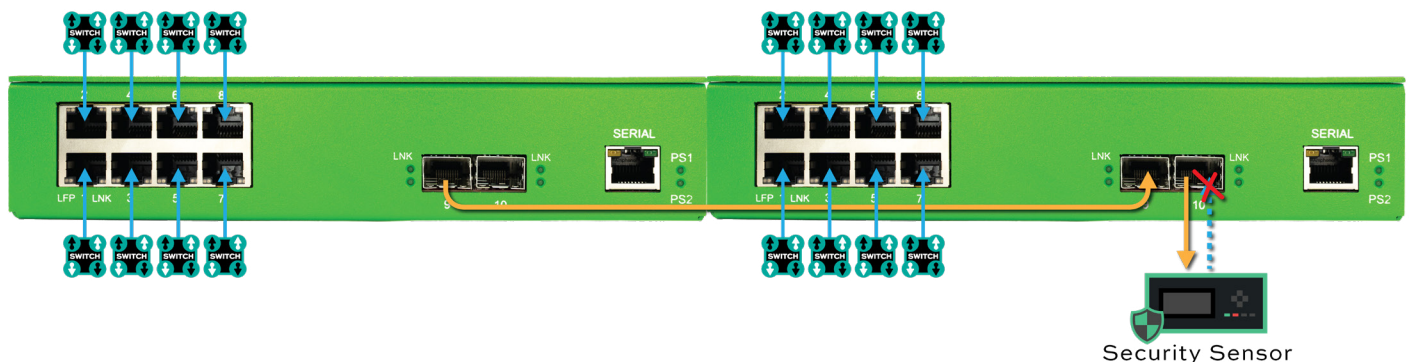
### USE CASE 1

## Aggregate 8 SPAN Links to 1 monitoring port



### USE CASE 2

## Aggregate 16 SPAN Links to 1 monitoring port



**Have Questions?**

sales@garlandtechnology.com | +1 716.242.8500 | GarlandTechnology.com

## HARDWARE KEY

1. Eight (8) 10/100/1000M Copper RJ-45 Network Ports
2. Two (2) 1G SFP Monitoring Ports
3. Serial Port
4. Dual Power Supplies
5. Power Buttons

## DIMENSIONS (HxWxD)

1.75" x 8.35" x 17.30"

44.45mm x 212.09mm x 439.42mm

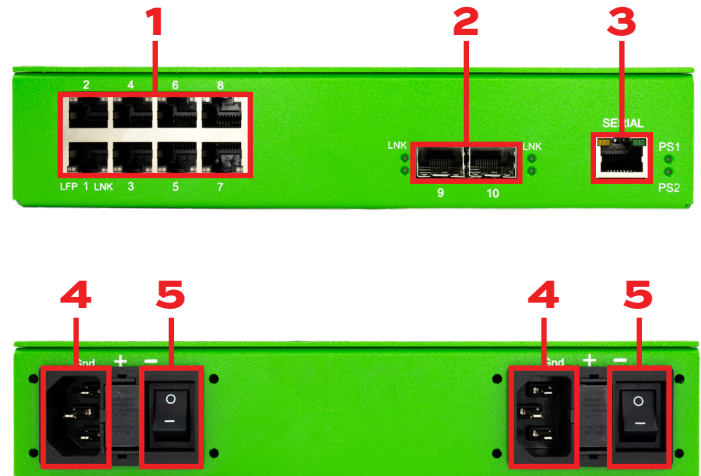
## SPECIFICATIONS

- Network speed: 10/100/1000M
- Storage Temperature:  
-20°C to 70°C | -4°F to +158°F
- Humidity: 90% non-condensing
- Voltage: 90 AC - 264 AC [DC voltage is 48 VDC]
- Voltage: 9-36VDC
- Current (nominal): 1.8 Amps at 115 AC  
[DC amps is 4.76 Amps DC]
- Weight: 4.0 lbs (1.81 kg)

Note: INT1G10CSASP is able to work with a single power input. Best practice is using the two (2) supplied power inputs connected to separate power sources to help safeguard the device against power failure.

## Accessories

Part #	Product Description
<b>BRACKET-10</b>	Bracket connects to one side of the INT1G10CSASP to make a full 1U width (19" total when used together)
<b>SFPSX_T</b>	SFP 1000Base-SX Multi-Mode Fibre optic
<b>SFPTX_T</b>	SFP 10/100/1000 Copper RJ-45 Connector, TAA Compliant
<b>SFPLX_T</b>	SFP 1000Base-LX Single Mode Fiber LC Connector, TAA Compliant



## PACKAGE CONTENTS

- One (1) SPAN Aggregator
- One (1) Rack mounting kit (bracket and screws)
- One (1) Ethernet Cable (RJ-45)
- One (1) Console Cable (RJ-45 to DB9)
- Two (2) AC Power Cords  
\*if AC part # is purchased\*



### Have Questions?

sales@garlandtechnology.com | +1 716.242.8500  
GarlandTechnology.com

