

EdgeLens® Focus Inline Security Packet Broker

1G/10G | Integrated Bypass | Failsafe | Filtering, Aggregating and Load Balancing



IT teams deploy inline security tools to prevent, block, inspect and protect their network, whether at the edge in a data center. Since these tools sit in the active network traffic, ensuring their performance and optimization is as critical as the tasks they perform. Active inline devices present a set of challenges, including becoming a single point of failure — leading to network downtime. Even deploying new inline tools and managing updates introduces risk.

Garland's new EdgeLens® Focus is a bypass TAP, network packet broker hybrid, purpose-built to provide the ultimate failsafe traffic management device to future proof your network. Eliminate single points of failure, reduce network downtime, cut deployment time and save money, without compromising the network.

Designed to revolutionize the edge of your network, this small half rack Inline Security Packet Broker connects between network segments (router and switch or firewall) and active inline tools, like a firewall or intrusion prevention systems (IPS). Allowing you to monitor the health of multiple tools and effectively manage the devices through deployment, updates or troubleshooting. If your tools go off line for any reason the Bypass TAP functionality will automatically 'bypass' the tool, keeping your network up while you resolve the issue.

Key Features

- One (1) 1G/10G failsafe bypass TAP for inline appliances
- Network Failsafe
- Configurable Heartbeat Packets with ms resolution
- Ten (10) 1G/10G ports with packet broker functionality for out-of-band monitoring appliances
- Supports filtering, aggregation, load balancing and regeneration
- Aggregate network traffic to a single or multiple tools (1:1, 1:N, N:1, N:N)
- 900 ingress filters and 256 egress filters
- Session/flow aware load balancing
- Configurable hash-based load balancing
- Flow replication and port mirroring
- Powered by GTLinux
- Management through GUI, SNMP v2c/v3
- Rest API for integration
- Made, tested and certified in USA

APPLICATIONS

- Inline lifecycle management best practice: update, upgrade or troubleshoot at any time.
- Reduce network downtime.
- Eliminate single points of failure within your network.
- Tool chaining - manage multiple inline security and out-of-band monitoring tools.
- TAP 10G links and deliver data to 1G and 10G tools — get more ROI out of your 1G tools, with filtering, aggregation, and load balancing.
- High availability (HA) support for active/active and active/passive configurations.
- Historical Look Back Forensic - easily provide packet capture data to storage for post breach analysis.
- Before and After Optimization - analyze packet data before and after your inline device to ensure optimal tool performance.

Competitive Edge

- Purpose-built half rack for managing the network edge
- Next-Gen Standard for Inline Management
- Configurable Heartbeat packets for continuous health check
- Failsafe network protection
- 100% secure and invisible; no IP address, no Mac address; cannot be hacked.
- Provide extra ports for packet capture analysis
- Bypass technology was invented by Jerry Dillard, CTO and Co-Founder
- Tested and Certified






Have Questions?

sales@garlandtechnology.com
+716.242.8500
garlandtechnology.com

Design-IT Demo
garlandtechnology.com/design-it

EdgeLens® Focus Inline Security Packet Broker

1G/10G | Integrated Bypass | Failsafe | Filtering, Aggregating and Load Balancing

Model #	Ports	Network Speed	Bypass TAPs	Monitor	Power	Power	Dual Hot Swappable Power Supplies*
INT10G12MSBP		1G/10G	SR Multi-mode Fiber	(10) SFP+	AC Power	120W	Yes
INT10G12SSBP		1G/10G	LR Single mode Fiber	(10) SFP+	AC Power	120W	Yes
INT10G12ESBP		1G/10G	ER Single mode Fiber	(10) SFP+	AC Power	120W	Yes

Power Supply options

PS10-HS-DC	Hot Swappable DC -48vdc Power Supplies
PS10-HS-AC	Hot Swappable AC Power Supplies *Two included with each EdgeLens order

Two (2) power supplies are required for each chassis

Available Pluggables & Cables:

Model #	Description
SFPTX	SFP 10/100/1000 Copper RJ-45 Connector
SFPSX	SFP 1000Base-SX Multi-Mode Fiber LC Connector
SFPLX	SFP 1000Base-LX Single Mode Fiber LC Connector
SFP+SR	SFP+ Dual Speed 1 Gigabit-SX / 10 Gigabit-SR Multi-Mode Fiber LC Connector
SFP+LR	SFP+ Dual Speed 1 Gigabit-LX / 10 Gigabit-LR Single Mode Fiber LC Connector
SFP+SR10G	SFP+ 10Gigabit-SR Multi-Mode Fiber LC Connector - only supports 10G
SFP+LR10G	SFP+ 10Gigabit-LR Multi-Mode Fiber LC Connector - only supports 10G
TWINAX1M**	Twinax Copper Direct Connect Cable SFP+ 10Gigabit 1 Meter

**Also available in 5 and 10 meters.

1/2 Rack 1U Chassis Specifications:

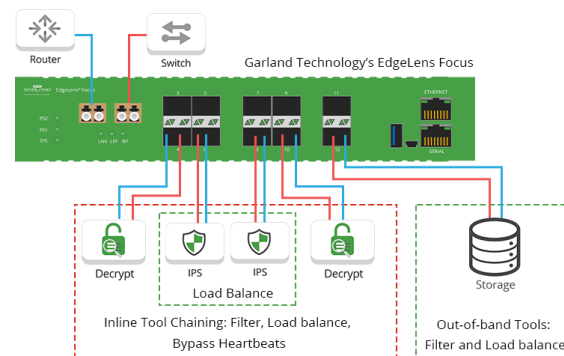
Max. system throughput:
 Support for: SFP(SX, LX and TX) and SFP+ (SR, LR, ER)
 Operating Temp: 0 to 40° C or 32 to 104° F
 Operating Humidity: 5 to 95%
 Dimensions: 17.5" L x 1.72" H x 8.25" W
 (444.5mm L x 43.68 mm H x 209.55mm W)
 Airflow: 50 IF/m
 (2) AC Power Supplies Included

APPROVALS:

Full RoHS compliance
 EMC, FCC Class A, UL (Safety) Certifications

Filter Features

- Configurable filters and Egress port filtering
- User defined filters for Layer 2, 3, and 4
- IPv4 and UDF Filter support
- IPv4, MAC, L4Port, VLAN, Ethertype, IP protocol
- Supports MPLS tagging and stripping, single and stacked
- Supports VLAN tagging and stripping, QinQ support
- Packet modification - VLAN Tagging



Network Failsafe — recognizes power outages and automatically closes relay circuitry in less than eight milliseconds, reconnecting the two network devices.

Configurable Heartbeat Packets with ms resolution — sent between the monitoring ports and inline device. If the heartbeat packets are not received from either direction, Bypass mode takes effect. Heartbeat packets are never sent out onto the live network.



This document is for informational purposes only. The information in this document, believed by Garland Technology to be accurate as of the date of publication, is subject to change without notice. Garland Technology assumes no responsibility for any errors or omissions in this document and shall have no obligation to you as a result of having made this document available to you or based upon the information it contains. ©2020 Garland Technology LLC. All Rights Reserved