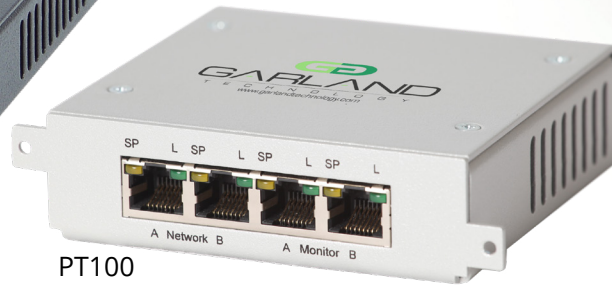


Copper Network TAP

10M/100M or 10/100/1000M (1G) | Portable | Breakout



P1GCCB



PT100

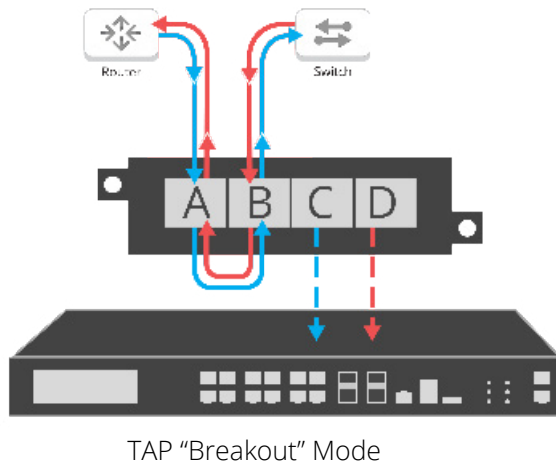
Network test access points (TAPs) are hardware tools that allow you to monitor your network. These purpose-built hardware devices copy 100% of your networks data allowing your monitoring tools to see every bit, byte and packet.®

These portable network TAPs are ideal for 10/100M or 10/100/1000M copper network monitoring and troubleshooting. This is a must-have item for any network trouble-shooting toolbox.

Key Features

- Copper network and monitoring ports
- DC powered models
- 1U rack mount holds up to 4 portable TAPs
- Link failure propagation
- 100% secure and invisible; no IP address, no MAC address, cannot be hacked
- Lowest latency TAP
- Easy to configure with switches on back
- Optional link speed synchronization
- Passes physical layer errors
- Supports Jumbo frames
- Available in passive and fail-safe models
- PoE (Power over Ethernet)
- Supports tap 'breakout' Mode
- Made, tested and certified in the USA

Network Flow



APPLICATIONS:

- Network & Application Monitoring
- Network & Application Analysis
- Network & Application Performance

+ Breakout Mode is ideal when utilization is very high and packet loss is not an option.

SOLUTIONS:

Copper Network TAPs are ideal for:

- IDS Intrusion Detection Systems
- APM Application Performance Monitoring
- Lawful Intercept
- Network Packet Broker Packet Capture
- DPI Deep Packet Inspection
- Network Analyzer
- Forensics

Competitive Edge

- Noiseless operation. No moving parts.
- Portable - A trouble-shooting tool kit must have.
- Tested and Certified




Have Questions?

sales@garlandtechnology.com
+716.242.8500
garlandtechnology.com

Copper Network TAP

10M/100M or 10/100/1000M (1G) | Portable

Model #	Network Speed	Chassis Size	# of TAPs	Passive	Power	Serial Port	Media	Connector/Mode
RMP-1U		1U Rack Mount Kit - Hold up to 4 Portable TAPs						
PT100	10/100Mbps	Portable	1	Yes	DC	No	Copper	Copper - RJ45
P1GCCB	10/100/1000Mbps (1Gbps)	Portable	1	Failsafe Design	DC	No	Copper	Copper - RJ45
P1GCCBV2	10/100/1000Mbps (1Gbps)	Portable	1	Failsafe Design	DC	No	Copper	Copper - RJ45

Additional Specifications

PIGCCB Dimensions (HxWxD): 1.15" x 3.9" x 6.5"
(29.21mm x 99.06mm x 165.10mm)

Weight: 0.7 lbs (0.3175 kg)

Ambient Temperature: 0C to +40C / +32F to +104F

Storage Temperature: -20C to +70C / -4F to +158F

Voltage: 5VDC

Current (nominal): 1.6 Amps

Maximum consumption: 8 Watts

Humidity: 90% non-condensing

PT100 Dimensions (HxWxD): 1.15" x 3.9" x 3.84"
(29.21mm x 99.06mm x 97.6mm)

Weight: 0.45 lbs (0.204 kg)

Ambient Temperature: 0C to +40C / +32F to +104F

Storage Temperature: -20C to +70C / -4F to +158F

Voltage: 5VDC

Current (nominal): 0.36 Amps

Maximum consumption: 1.8 Watts

Humidity: 90% non-condensing



This document is for informational purposes only. The information in this document, believed by Garland Technology to be accurate as of the date of publication, is subject to change without notice. Garland Technology assumes no responsibility for any errors or omissions in this document and shall have no obligation to you as a result of having made this document available to you or based upon the information it contains. ©2019 Garland Technology LLC. All Rights Reserved