











































**TYPICAL APPLICATION CIRCUITS**

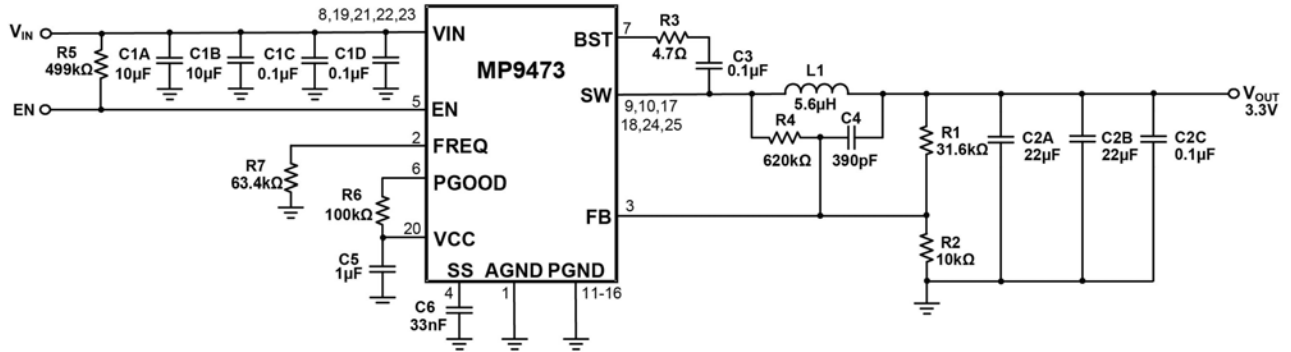
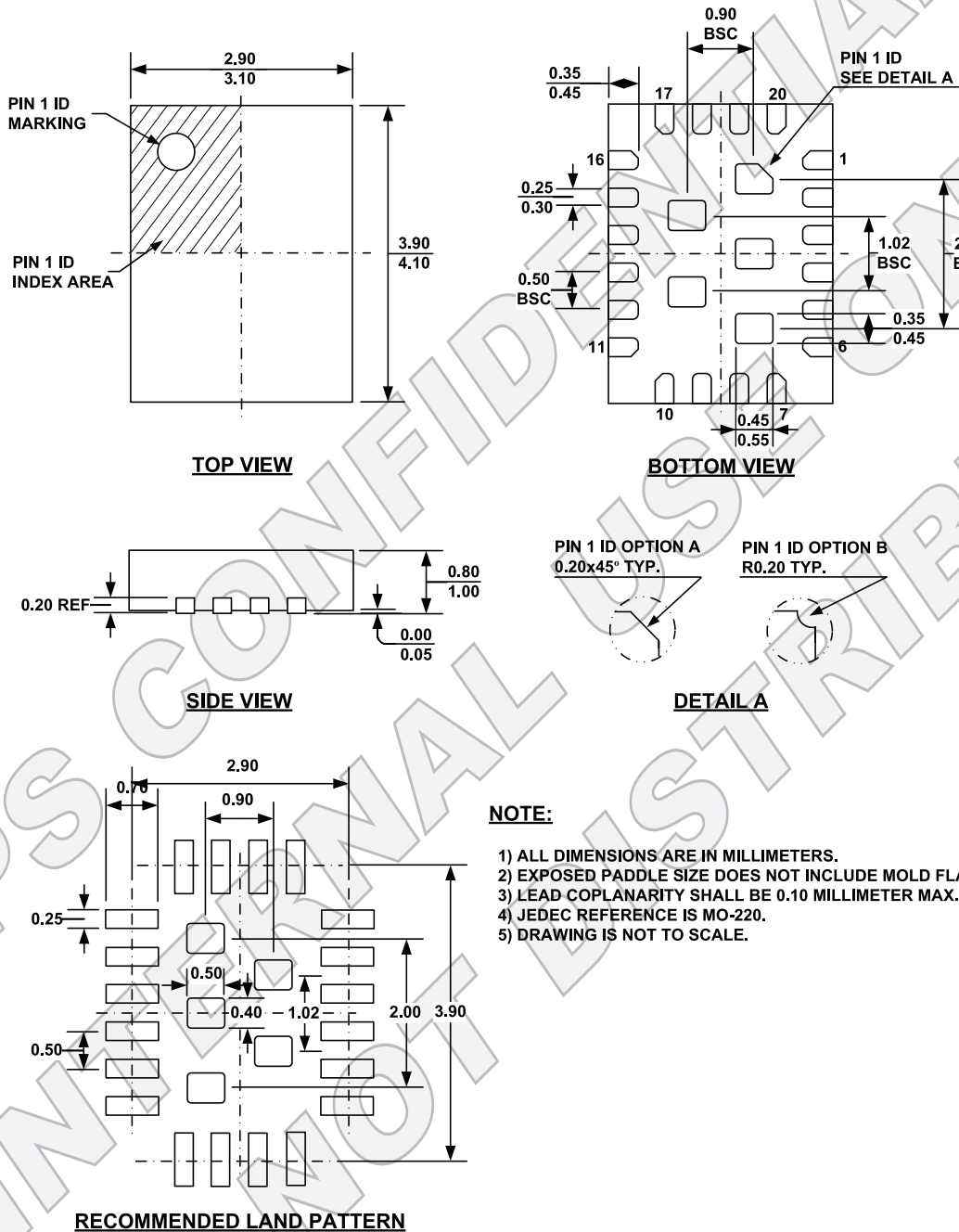


Figure 10: Typical Application Circuit, 3.3V-Output

MPS CONFIDENTIAL  
INTERNAL USE ONLY  
DO NOT DISTRIBUTE

**PACKAGE INFORMATION**

**QFN-20 (3mm × 4mm)**



**NOTE:**

- 1) ALL DIMENSIONS ARE IN MILLIMETERS.
- 2) EXPOSED PADDLE SIZE DOES NOT INCLUDE MOLD FLASH.
- 3) LEAD COPLANARITY SHALL BE 0.10 MILLIMETER MAX.
- 4) JEDEC REFERENCE IS MO-220.
- 5) DRAWING IS NOT TO SCALE.

**NOTICE:** The information in this document is subject to change without notice. Users should warrant and guarantee that third party Intellectual Property rights are not infringed upon when integrating MPS products into any application. MPS will not assume any legal responsibility for any said applications.