

PAT9126JA-TKIT: Optical Tracking Miniature Chip

General Description

The PAT9126JA is PixArt Imaging's low power optical tracking miniature chip using PixArt's LASER-based optical navigation technology enabling digital surface tracking. It integrates an optical chip and a LASER light source in a single miniature package, providing wide depth of field (DOF) range on glossy surfaces, and design flexibility into highly space constraint devices. This tracking system also does not require code wheel, code strip and any special marking on tracking surface for motion control or tracking purposes. It is recommended for use in hermetic or enclosed mechanical system design and applications. LASER power calibration process is NOT required in the complete system; it was pre-calibrated at chip level which helps to facilitate high volume assembly.

Key Features

- Miniature reflowable SMT package with built-in VCSEL LASER light source in a single package
- Wide DOF range on glossy surfaces, e.g. stainless steel (STS)
- No lens is needed
- Compliance to IEC/EN 60825-1 Eye Safety
 - Class 1 LASER power output level
 - On-chip LASER fault detection circuitry
- Support I²C interface
- Programmable resolution up to 1,275 cpi (on flat STS)
- Motion detection interrupt output
- Efficient low power management with programmable sleep modes & downshift time
- Internal oscillator – no external clock input needed

Applications

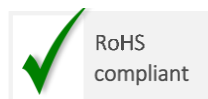
- Suitable for space-constraint and battery-powered wireless devices
- Devices that requires tracking on surfaces with wide DOF working range
- Devices that require tracking on small diameter of shaft and suitable for wearable and portable devices

Key Parameters

Parameter	Value
Supply Voltage	VDD : 2 connection types type1 2.1 ~ 3.6V type2 1.7 ~ 1.9V VLD : 2.7 ~ 3.6V
Control Interface	I ² C
Distance to tracking surface (DOF)	1 ~ 30mm (on STS surface)
Max. tracking speed	On flat STS <ul style="list-style-type: none"> ▪ 30 ips @distance ≥ 3mm ▪ 10 ips @distance 0.5~3mm On 1.0mm diameter STS shaft <ul style="list-style-type: none"> ▪ 900 rpm @distance ≥ 3mm ▪ 300 rpm @distance 0.5~3mm
Max Resolution	~1,275 cpi (on flat STS) or ~630 counts/rev (on 1.0mm diameter STS shaft at 1.0mm distance)
Operating current (Average @ VDD = VLD = 3.3V)	Run : 0.7mA Sleep1/2 : 25μA / 10uA Power down : 5μA
Light Source	VCSEL LASER 850 nm
Package Size LWH	3.5 x 3.2 x 0.65 mm

Ordering Information

Part Number	Interface	Package Type
PAT9126JA-TKIT	I ² C	LGA 8-pin



For any additional inquiries, please contact us at <http://www.pixart.com/contact.asp>

Contents

1.0	Introduction.....	3
1.1	Overview	3
1.2	Terminologies.....	3
1.3	Signal Description	4
1.4	Potential Tracking Mechanisms	5
2.0	Operating Specifications	6
2.1	Absolute Maximum Ratings	6
2.2	Recommended Operating Conditions	6
2.3	DC Characteristics	7
3.0	Mechanical Specifications.....	8
3.1	Mechanical Dimension	8
4.0	Reference Schematics	9
4.1	Schematics for I ² C Interface	9
4.1.1	High Voltage Segment (VDD : 2.1V ~ 3.6V)	9
4.1.2	Low Voltage Segment (VDD : 1.7V ~ 1.9V)	9
5.0	Control Registers.....	10
5.1	Registers List	10
	Document Revision History	11

1.0 Introduction

1.1 Overview

PAT9126JA-TKIT is a high performance and an ultralow power CMOS-processed optical navigation chip with integrated digital image process circuits. It is based on an optical navigation technology of LASER which measures changes in position by optically acquiring sequential surface images (frames) and mathematically determining the speed, the direction and the magnitude of motion. The displacement X and Y information interrupt flags are available in registers, and host controller can read and translate them from the I²C serial interface.

Note: Throughout this document PAT9126JA-TKIT is referred to as the chip.

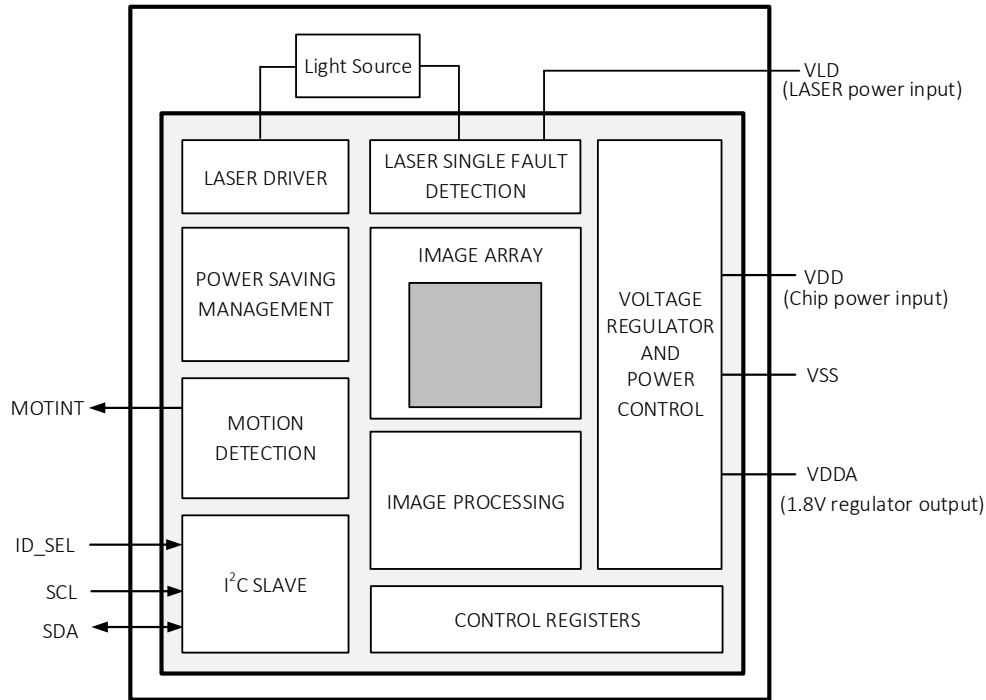


Figure 1. Functional Block Diagram

1.2 Terminologies

Term	Description
ACK	Acknowledge bit of I ² C bus
DOF	Depth of Field
FPS	Frames per Second
I ² C	Inter-Integrated Circuit
IPS	Inches per Second
LD	LASER Diode
LGA	Land Grid Array
LOP	LASER output power, unit: uW (micro-watt)
NACK	Not-Acknowledge bit of I ² C bus
RPM	Revolution per minute
STS	Stainless Steel
VCSEL	Vertical-Cavity Surface-Emitting LASER

1.3 Signal Description

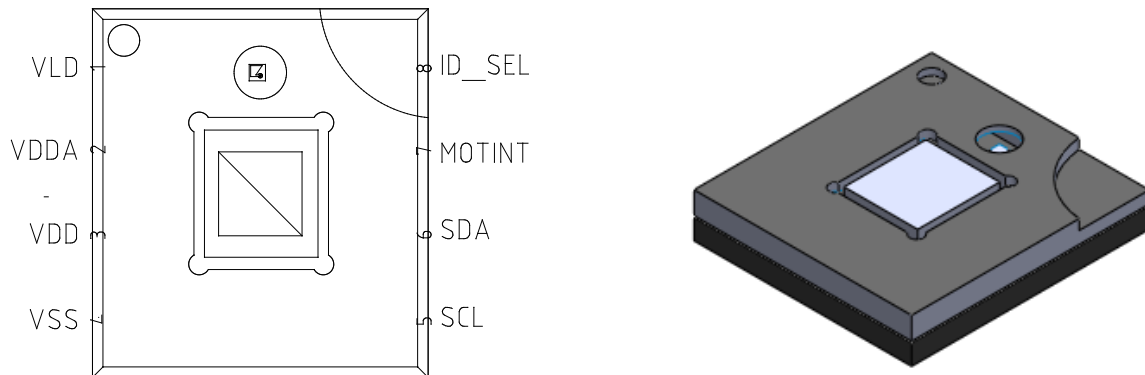


Figure 2. Pin Configuration

Table 1. Signal Pins Description

Pin No.	Signal Name	Type	Description
1	VLD	PWR	Anode of the VCSEL LASER, voltage range: 2.7V ~ 3.6V
2	VDDA	PWR	VDD is the main power supply for IC circuits
3	VDD	PWR	High voltage Segment (VDD: 2.1V ~ 3.6V): VDDA is 1.8V regulator output and should connect a 4.7uF capacitor to ground Low Voltage Segment (VDD: 1.7V ~ 1.9V): VDDA should connect to VDD directly
4	VSS	GND	Chip ground
5	SCL	IN	Clock input for I ² C interface
6	SDA	I/O	Bi-directional I/O for I ² C interface
7	MOTINT	OUT	MOTINT: Motion detection interrupt output (active low). Default is open-drain output
8	ID_SEL	I/O	ID_SEL : Slave ID (7-bit) Selection for I ² C interface. It is recommended directly tie this pin to VDD, VSS or just leave it no-connection. Not recommended connect it to the host controller. High = 0x73, Low=0x75, NC = 0x79
9	TEST1	NC	This pin is located on the back of the chip and is for PixArt testing purpose. Please do NOT connect it to any part of the PCB. Please refer to Figure 8
10	TEST2	NC	This pin is located on the back of the chip and is for PixArt testing purpose. Please do NOT connect it to any part of the PCB. Please refer to Figure 8

1.4 Potential Tracking Mechanisms

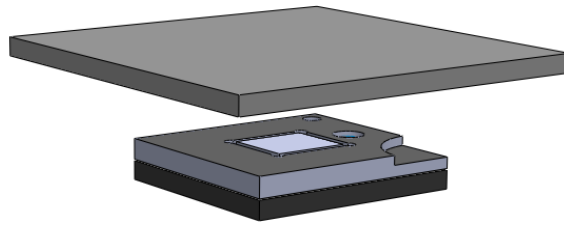


Figure 3. Tracking on a Moving Surface

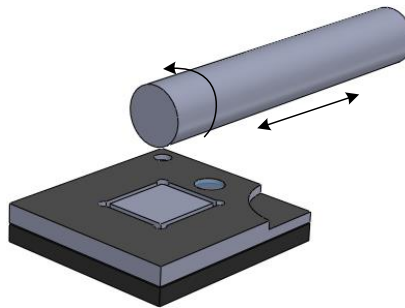


Figure 4. Tracking on the Side of a Rotational Shaft

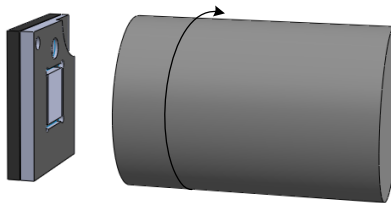


Figure 5. Tracking on the end of a Rotational Shaft

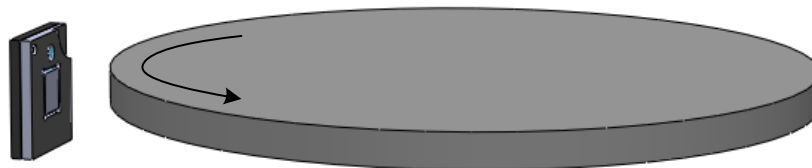


Figure 6. Tracking on a Disk Edge

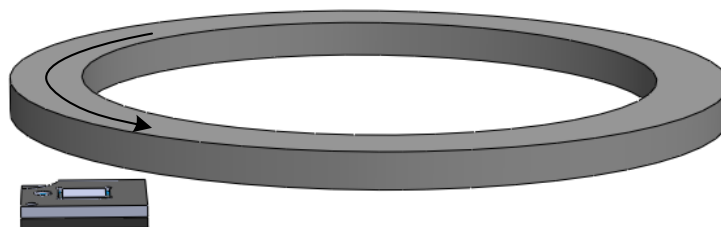


Figure 7. Tracking on a Rotational Bezel

2.0 Operating Specifications

2.1 Absolute Maximum Ratings

Table 2. Absolute Maximum Ratings

Parameters	Symbol	Min.	Max.	Unit	Notes
Storage Temperature	T_{STG}	-40	85	°C	
Power Supply Voltage	V_{DC}	-0.3	3.9	V	
Signal Input Voltage	V_{IN}	-0.3	V_{DC}	V	For all input I/O
Lead Solder Temp	T_{SOL}	-	260	°C	Non-condensing, Non-biased
ESD	V_{HBM}	-	2	kV	All pins, Human Body Model MIL 883 Method 3015

Notes:

1. At room temperature.
2. Maximum Ratings are those values beyond which damage to the device may occur.
3. Exposure to these conditions or conditions beyond those indicated may adversely affect device reliability. Functional operation under absolute maximum-rated conditions is not implied.
4. Functional operation should be restricted to the Recommended Operating Conditions.

2.2 Recommended Operating Conditions

Table 3. Recommended Operating Conditions

Description	Symbol	Min.	Typ.	Max.	Unit	Notes
Operating Temperature	T_A	-20	-	60	°C	
Power Supply Voltage	VDD	2.1	3.3	3.6	V	For chip in High Voltage Segment
		1.7	1.8	1.9	V	For chip in Low Voltage Segment
	VLD	2.7	3.3	3.6	V	For LASER Power
Supply Noise	V_{NPP}	-	-	100	mV	Peak to peak voltage within 10kHz – 80 MHz
Distance to 3.65mm diameter shaft (DOF)	Z	1		10	mm	On stainless steel shaft
Tracking Speed	V_{SP}	-	-	600	RPM	Max. tracking speed on 3.65mm diameter shaft
Laser Drive Current (DC)	I_{LD_SRC}	5.0	7.0	8.0	mA	Configured via LD_SRC register

Notes:

1. PixArt does not guarantee the performance if the operating temperature is beyond the specified limit.

2.3 DC Characteristics

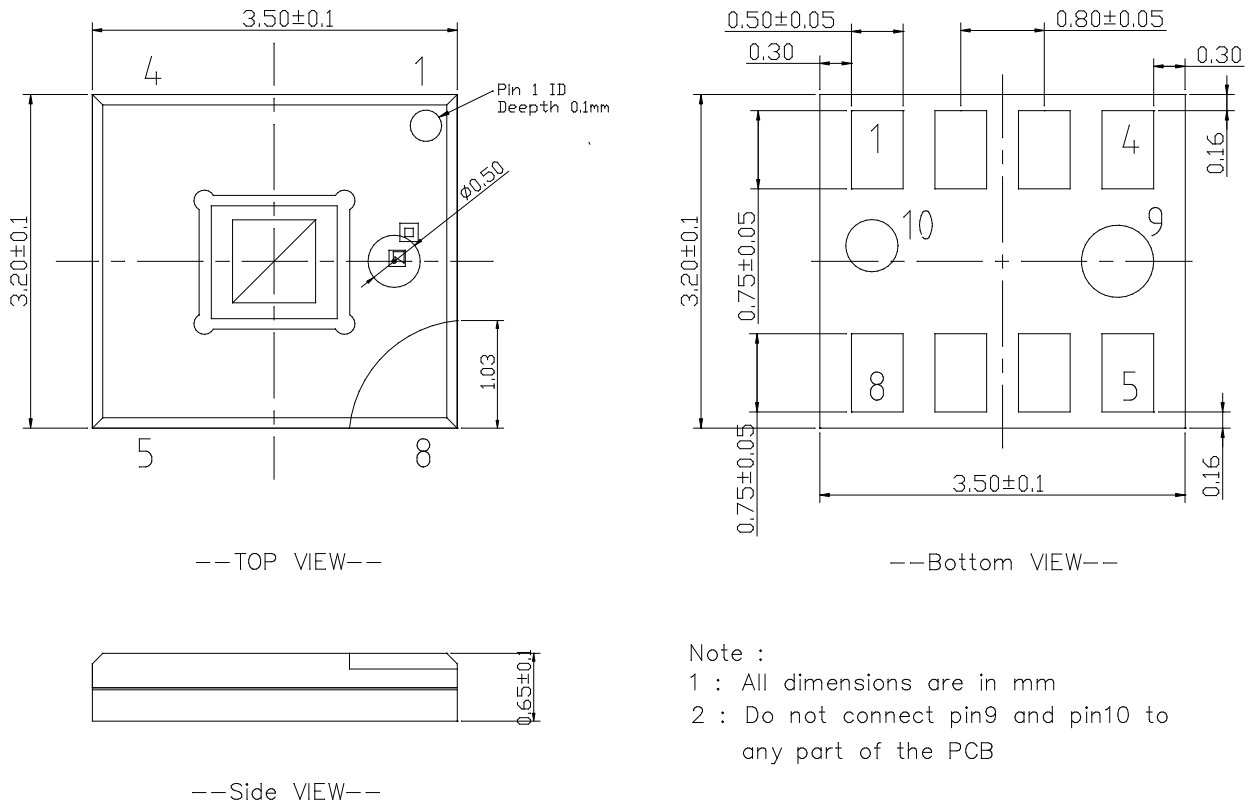
Table 4. DC Electrical Specifications

Parameters	Symbol	Min.	Typ.	Max.	Unit	Conditions
Run mode current	I_{RUN}	-	0.7	-	mA	Tracking speed dependent @VDD=VLD=3.3V on flat stainless steel
Sleep 1 mode current	I_{SLP1}	-	25	-	μ A	Based on 32ms sampling period @VDD=VLD=3.3V on flat stainless steel
Sleep 2 mode current	I_{SLP2}	-	10	-	μ A	Based on 128ms sampling period @VDD=VLD=3.3V on flat stainless steel
Power Down current	I_{PD}	-	5	10	μ A	@VDD=VLD=3.3V
Input Voltage High	V_{IH}	VDD*0.7	-	-	V	For SCL, SDA, MOTINT pins
Input Voltage Low	V_{IL}	-	-	VDD*0.3	V	
Output Voltage High	V_{OH}	VDD-0.4	-	-	V	
Output Voltage Low	V_{OL}	-	-	0.4	V	

Notes: All the parameters are tested under operating conditions: $T_A = 25^\circ\text{C}$

3.0 Mechanical Specifications

3.1 Mechanical Dimension



Note :
 1 : All dimensions are in mm
 2 : Do not connect pin9 and pin10 to any part of the PCB

Figure 8. Package Outline Diagram

4.0 Reference Schematics

4.1 Schematics for I²C Interface

The chip supports standard I²C interface and the SCL clock speed is up to 1MHz. Three different Slave IDs can be selected from the ID_SEL pin (High = 0x73, Low=0x75, NC = 0x79). Notice that 5KΩ of R1 and R2 pull-up resistors is just for reference and the resistance might have to be adjusted according to the overall system.

4.1.1 High Voltage Segment (VDD : 2.1V ~ 3.6V)

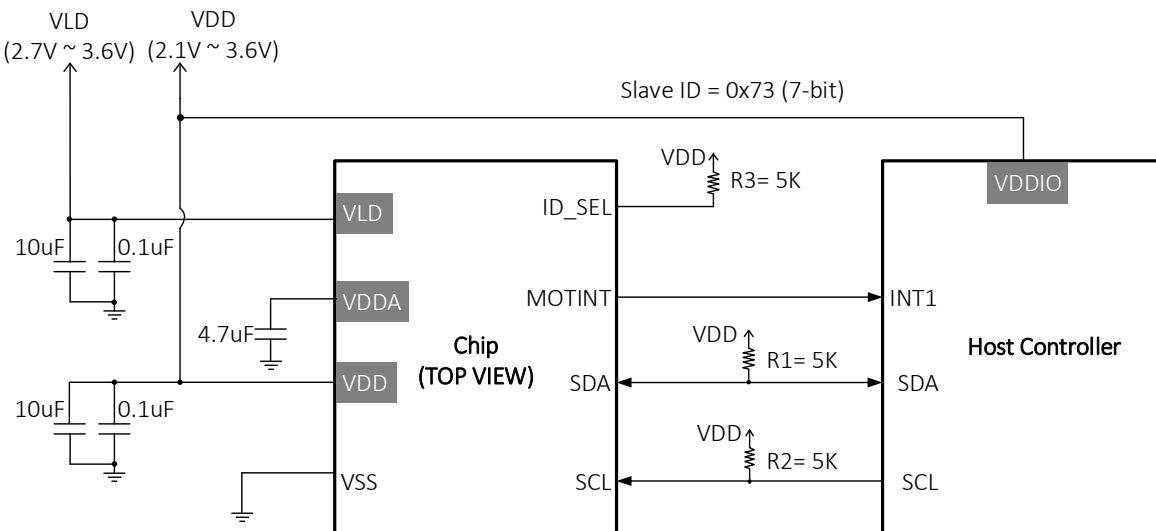


Figure 9. Schematics for High Voltage Segment

4.1.2 Low Voltage Segment (VDD : 1.7V ~ 1.9V)

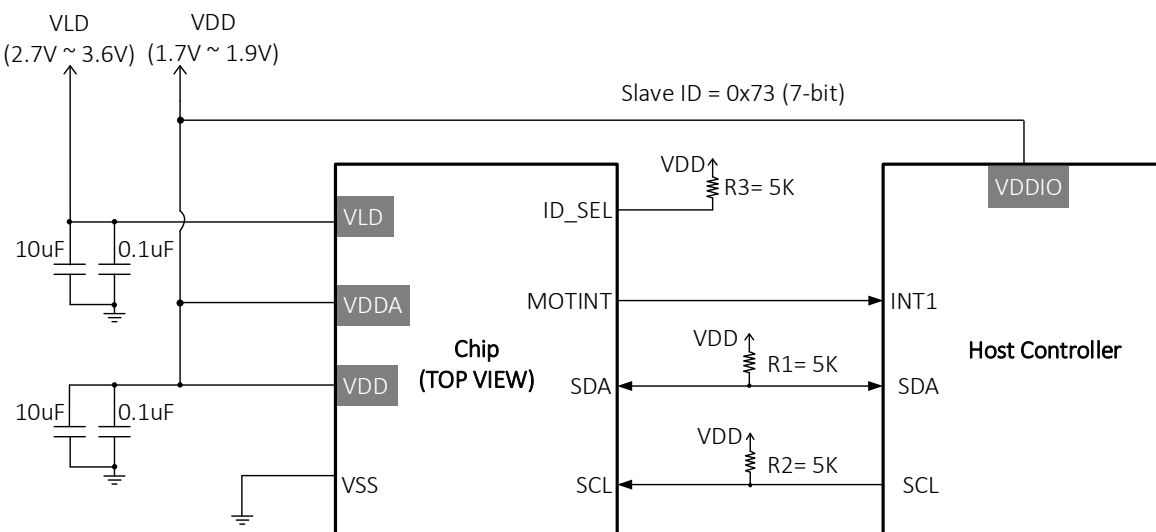


Figure 10. Schematics for Low Voltage Segment (I²C Interface)

5.0 Control Registers

5.1 Registers List

Address	Register Name	Access	Reset	Brief Description
0x00	Product_ID1	RO	0x31	Product Identifier [11:4]
0x01	Product_ID2	RO	0x92	Upper 4 bits for Product Identifier, PID [3:0] Lower 4 bits for Product Version, VID [3:0]
0x02	Motion_Status	RO	-	Information for MOTION, B2D and D2B flags
0x03	Delta_X_Lo	RO	-	8-bit 2's complement number for X-movement data in 8-bit movement data format X-movement = Delta_X_Lo[7:0]
0x04	Delta_Y_Lo	RO	-	8-bit 2's complement number for Y-movement data in 8-bit movement data format Y-movement = Delta_Y_Lo[7:0]
0x05	OP_Mode	R/W	0xB0	Operation mode selection
0x06	Configuration	R/W	0x17	Software power down and reset
0x09	Write_Protect	R/W	0x5A	Write Protect to avoid missed-writing registers
0x0A	Sleep1	R/W	0x77	Sleep1 configuration
0x0B	Sleep2	R/W	0x10	Sleep2 configuration
0x0D	RES_X	R/W	0x14	To set counts/rev on 3.65mm STS shaft end
0x0E	RES_Y	R/W	0x14	This register has to be 0 to avoid the Y-movement counts
0x12	Delta_XY_Hi	RO	-	High nibble of X-movement and Y-movement for 12-bit 2's complement data format. X-movement = {Delta_XY_Hi[7:4], Delta_X_Lo[7:0]} Y-movement = {Delta_XY_Hi[3:0], Delta_Y_Lo[7:0]}
0x17	FrameAvg	RO	-	Average brightness of a frame

Document Revision History

Revision Number	Date	Description
1.0	04 Jan. 2018	First Release